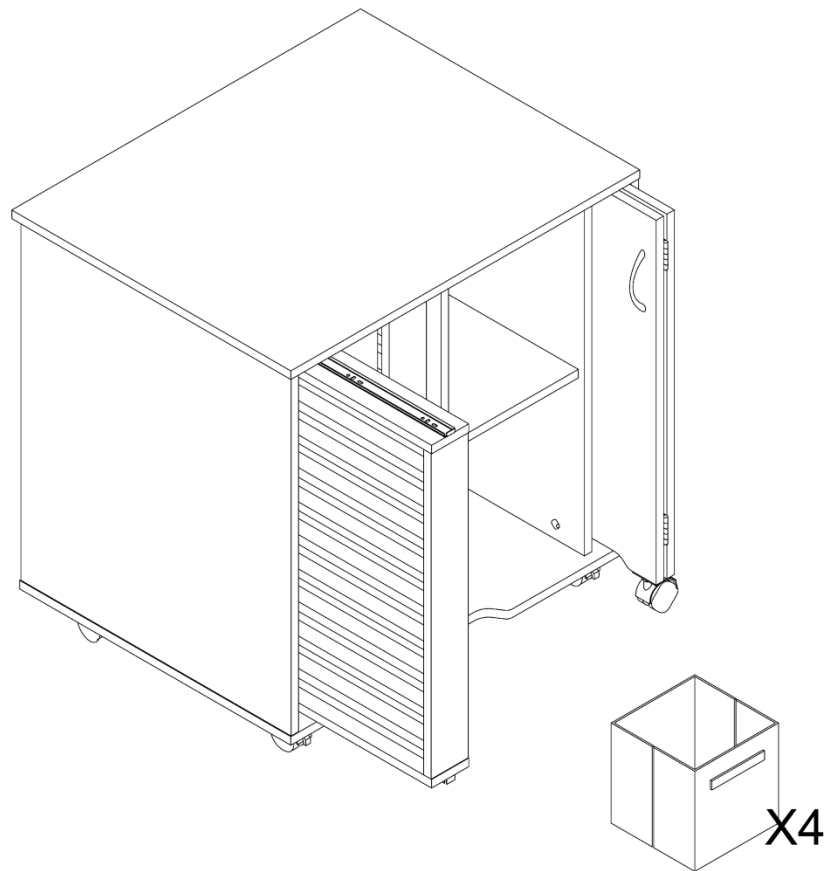
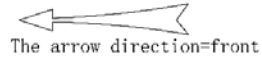
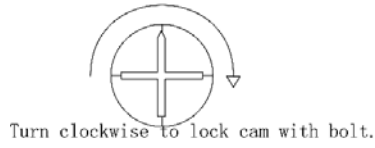


ASSEMBLY INSTRUCTIONS

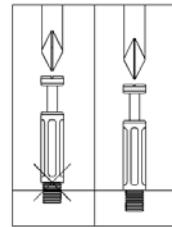
ITEM No.:2031



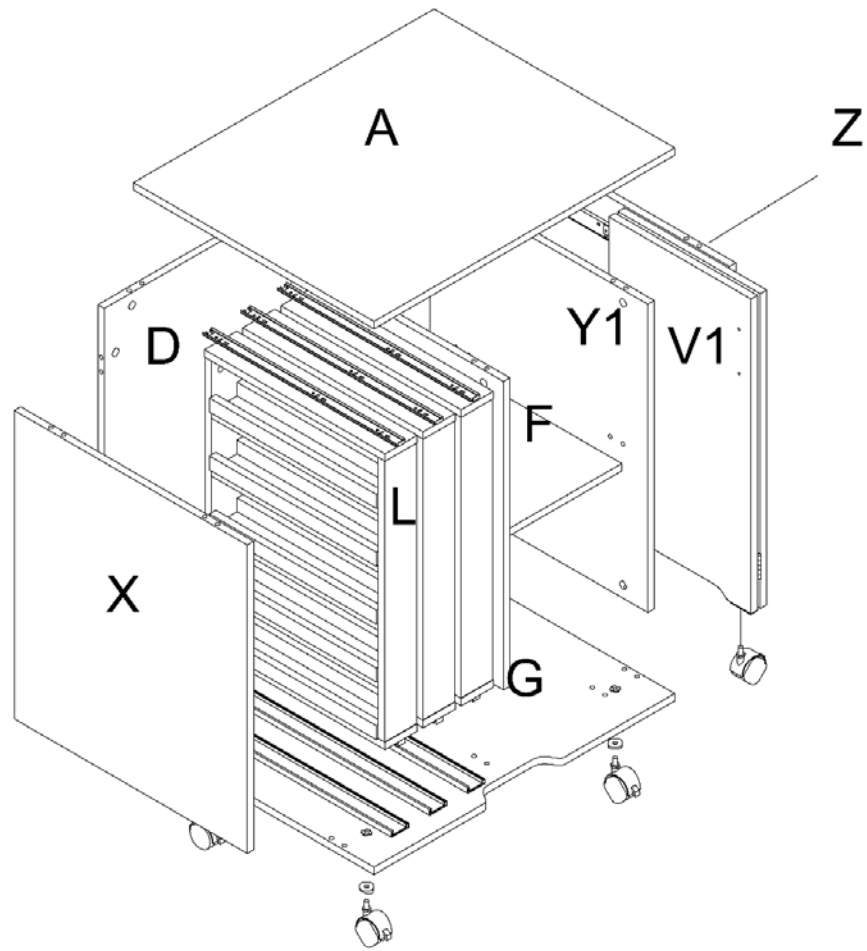
Assembly video can be found on our website at www.arrowcabinets.com in the Video Section
Questions? Call 1-800-533-7347 press 1 or Email: cs@arrowcabinets.com



Incorrect Correct



Screw cam bolts all the way in



PARTS LIST

ITEM	DESCRIPTION	QTY
A	Top panel	1
G	Bottom	1
Z	Right Side	1
X	Left Side	1
Y1	Left Partition	1
Y2	Right Partition	1
D	Back	1
F	Shelf	1
V1	Left Door	1
V2	Right Door	1
L	Pre-assembled Thread Rack	3
	Fabric box	4

PARTS LIST

ITEM	DESCRIPTION	QTY.	ITEM	DESCRIPTION	QTY.
(c1)	6*35 Cam Bolt	26	(h)	Handle	2
(d1)	8*30 Dowel pin	28	(h1)	Hinge	2
(c2)	(58") Cam Cover	28	(b2)	Fix Bolt	4
(t1)	Castor	5	(b4)	Washer	4
(r3)	14mm Spanner	1	(s1)	4*14 Screw	18
(s7)	4*6 Screw	4	(g1)	Hinge Body <small>(Arrives attached to hinge stand)</small>	2
(m)	Magnet	1	(g1)	Hinge Stand	2
			(s4)	3.5*10 Screw	2
			(s20)	6*50 Fix Bolt	2



(c1) 6*35 Cam Bolt-26



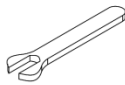
(d1) 8*30 Dowel Pin-28



(c2) (58") Cam Cover-28



(t1) Castor-5



(r3) 14mm Spanner-1



(s1) 4*14 Screw-18



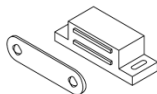
(h) Handle-2



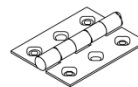
(b2) 4*20 Fix Bolt-4



(b4) Washer-4



(m) Magnet-1



(h1) Hinge-2



(s7) 4*6 Screw-4



(g1) Hinge Body-2



(g1) Hinge Stand-2

Arrives attached together body & stand



(s20) 6*50 Fix Bolt-2

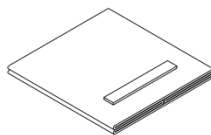


(s4) 3.5*10 Screw-2

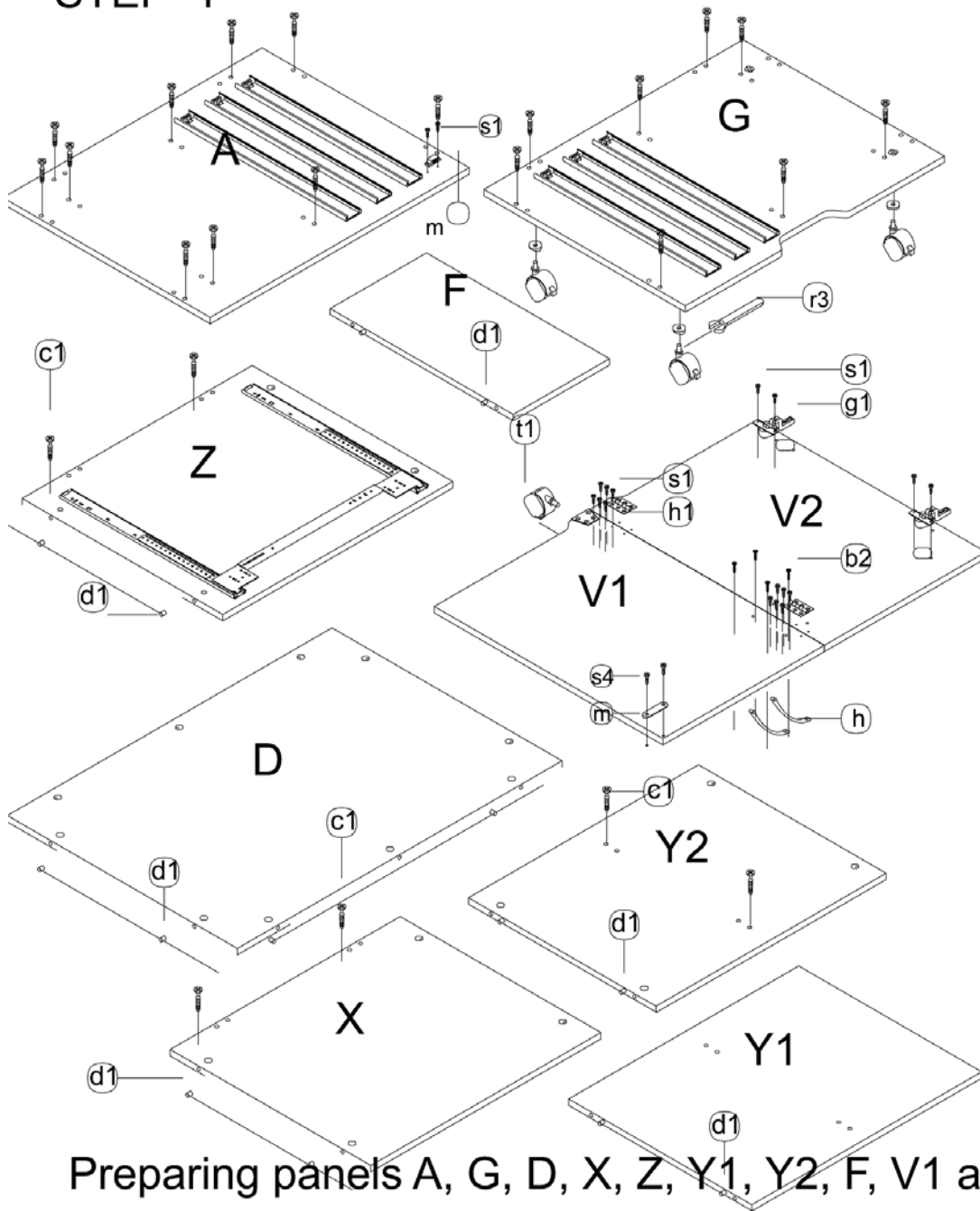
Pre-installed parts



c5 Cam



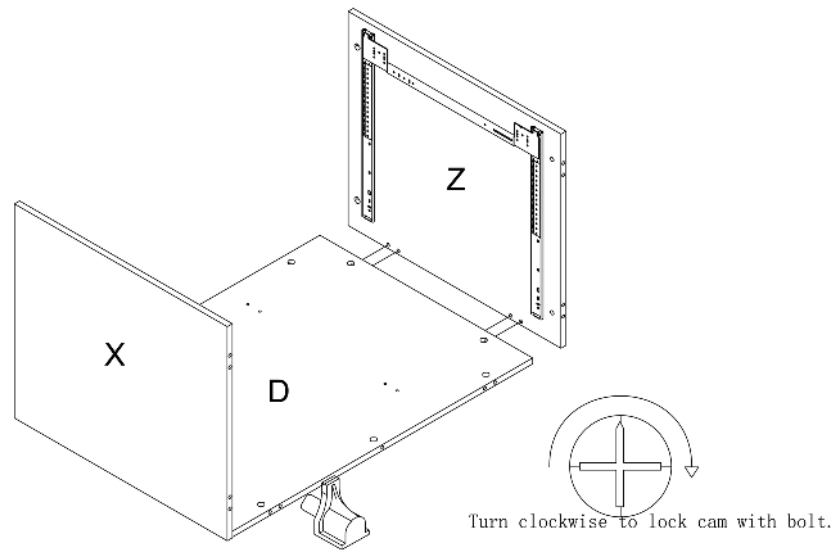
STEP 1




Preparing panels A, G, D, X, Z, Y1, Y2, F, V1 and V2

1. Insert cams bolts (c1) into panels A,G,X, and Z as illustrated above.
2. Insert dowel pins (d1) to panels X,Z,Y1,Y2,F and D as illustrated above.
3. Fix handles (h) to panels V1 and V2 with fix bolts (b2) as illustrated above.
4. Fix hinge bodies (g1) to panels V1 and V2 with screws (s1) as illustrated above.
5. Fix Hinges (h1) with screws s1 into panels V1,V2 as illustrated above. Add magnet plate included in m to V1 by using s4 screws.
6. Attach the door magnet m to Top Panel A using (s1) screws as illustrated above.
7. Attach locking casters (t1) to panel G by using the spanner tool r3.

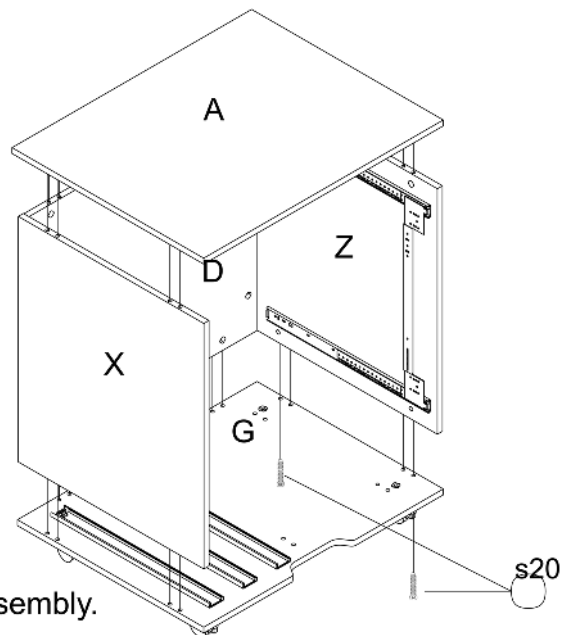
STEP 2





Panel D,X, and Z assembly.

1. Insert cam bolts  on panel X and Z into cams on panels D and tighten in a clockwise direction as illustrated above.

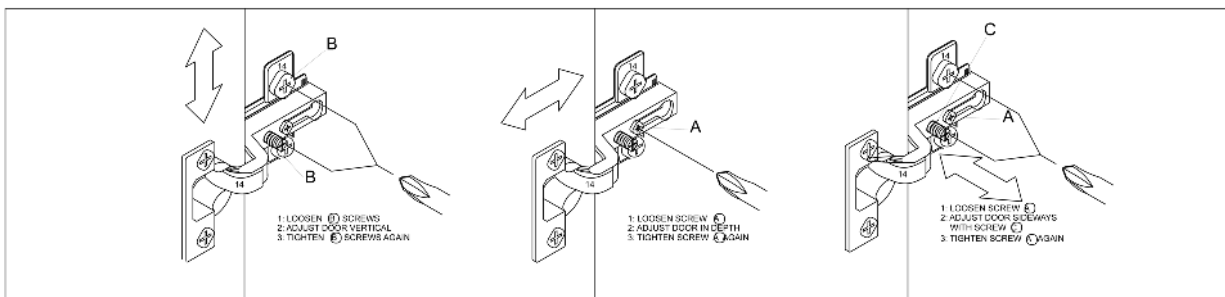
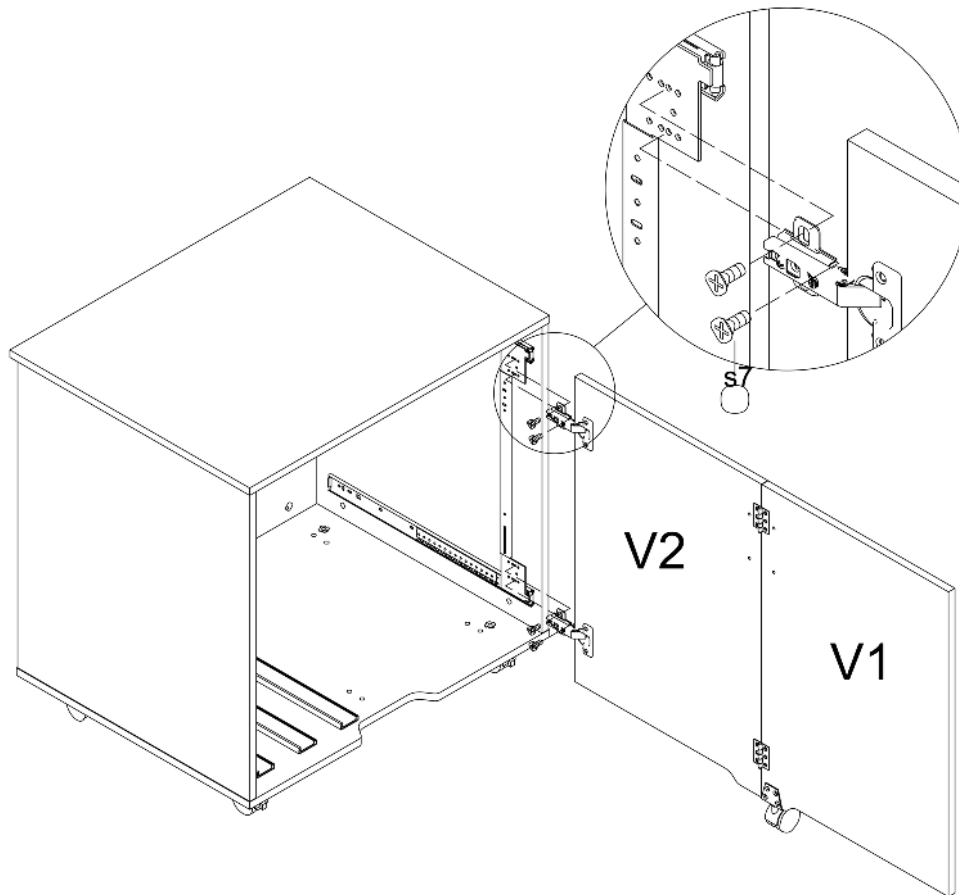
STEP 3



Panel A and G assembly.

1. Insert cam bolts  on panel A and G into cams on panels D,X and Z and tighten in a clockwise direction as illustrated above.
2. Insert screws  on panel G into cams on panels Z and tighten in a clockwise direction as illustrated above.

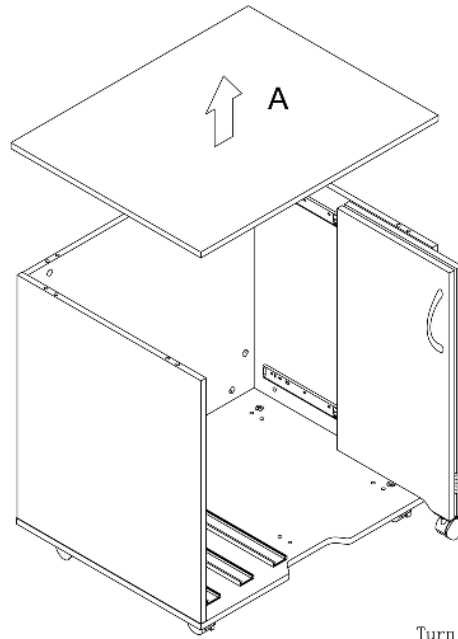
STEP 4



Door panel V1,V2 assembly.

1. Attach door assembly V1 and V2 to cabinet with screws S7 to panel Z runners as illustrated above.

STEP 5

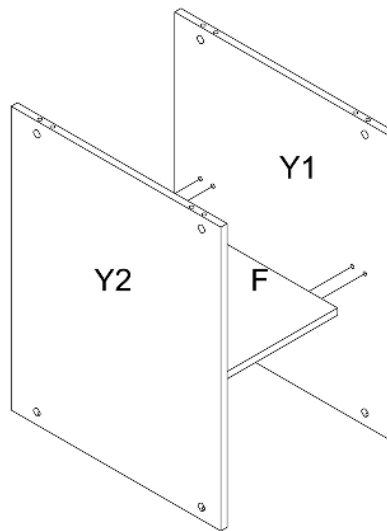


Panel A assembly.

1. Remove the Top Panel

Turn counter clockwise to unlock cam with bolt.

STEP 6

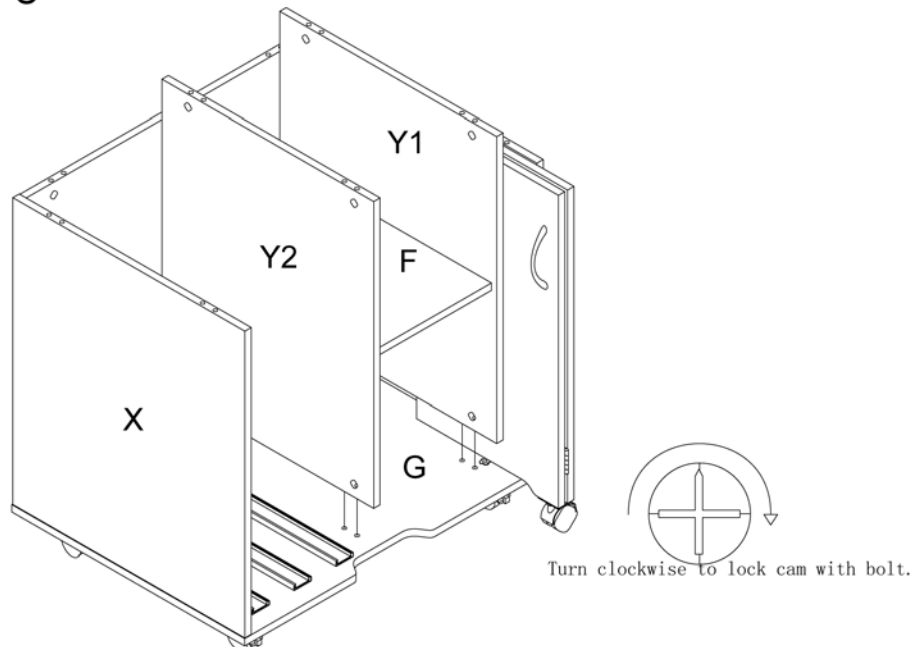


Panel F assembly.

1. Insert cam bolts ^(C1) on panel Y1 and Y2 into cams on panels F and tighten in a clockwise direction as illustrated above.

Turn clockwise to lock cam with bolt.

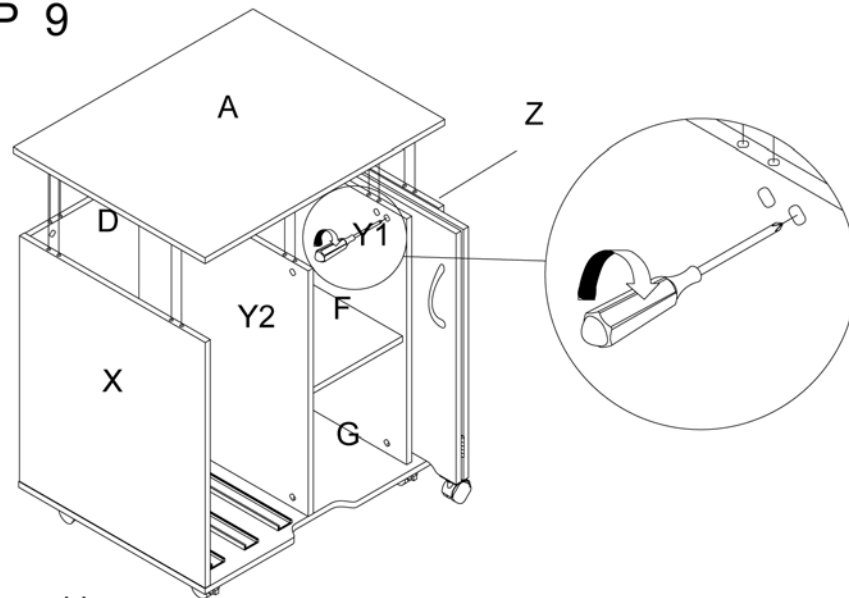
STEP 8



Panel F, Y1 and Y2 assembly.

1. Insert cam bolts ^(c1) on panel G into cams on panels Y1 and Y2 and tighten in a clockwise direction as illustrated above.

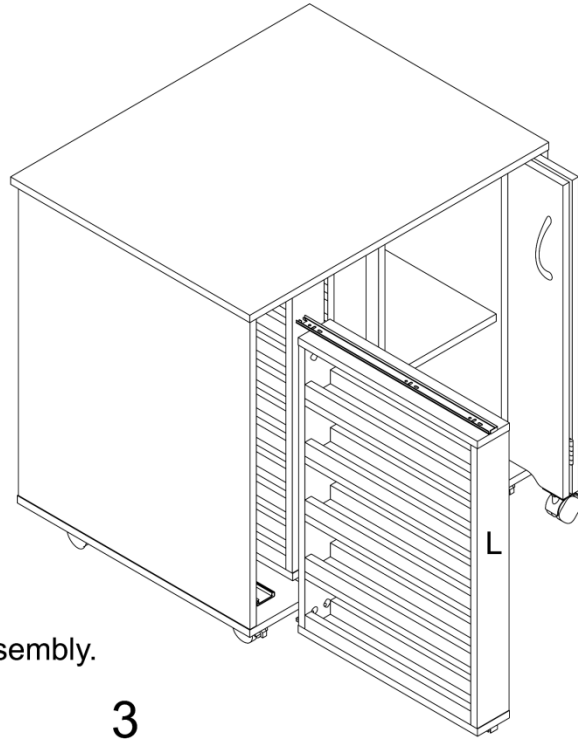
STEP 9



Panel A assembly.

1. Insert cam bolts ^(c1) on panel A into cams on panels Y1, X, Z, D and Y2 and tighten in a clockwise direction as illustrated above.

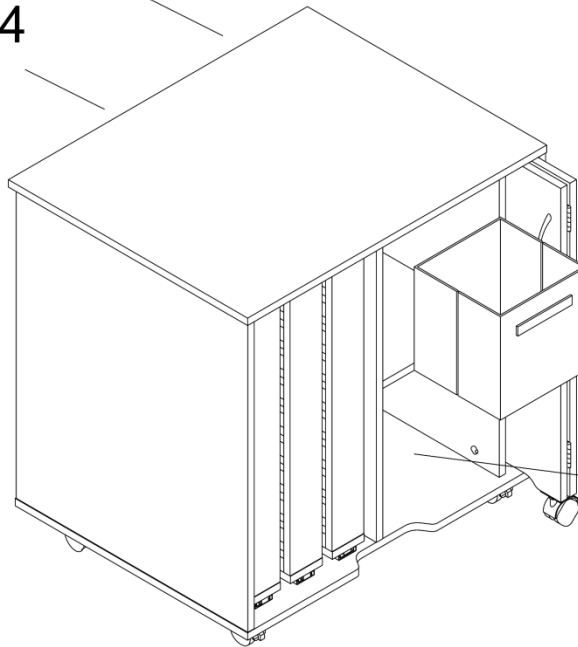
STEP 10



Drawers assembly.

3

4



Insert fabric boxes

1

2

You have now successfully completed the assembly on item:

ITEM No.:2031

